

Figure 1.

Schematic elevation of specimen, showing thermocouple positions (numbered circles) and overall dimensions (in mm).

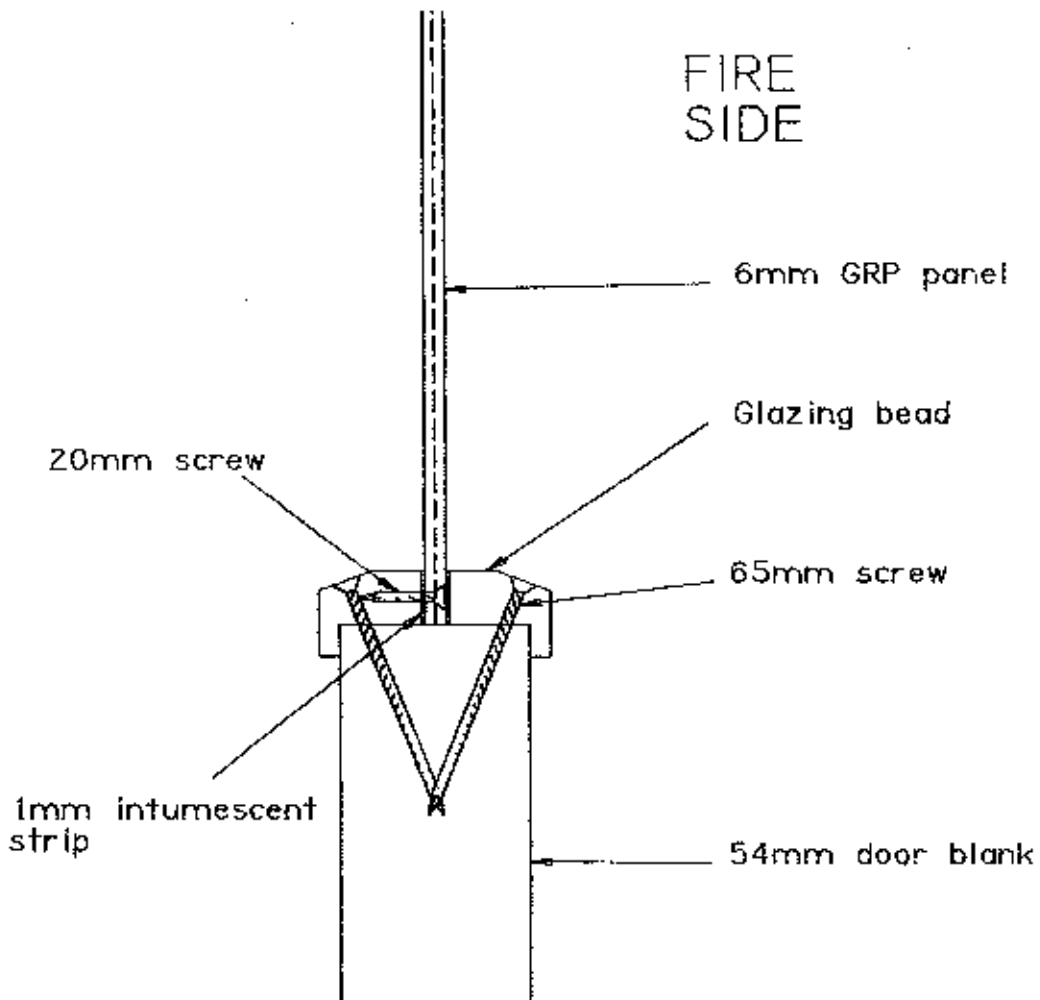


Figure 2.

Vertical section through
at edge of glazing panel

FURNACE TEMPERATURE/TIME CURVES

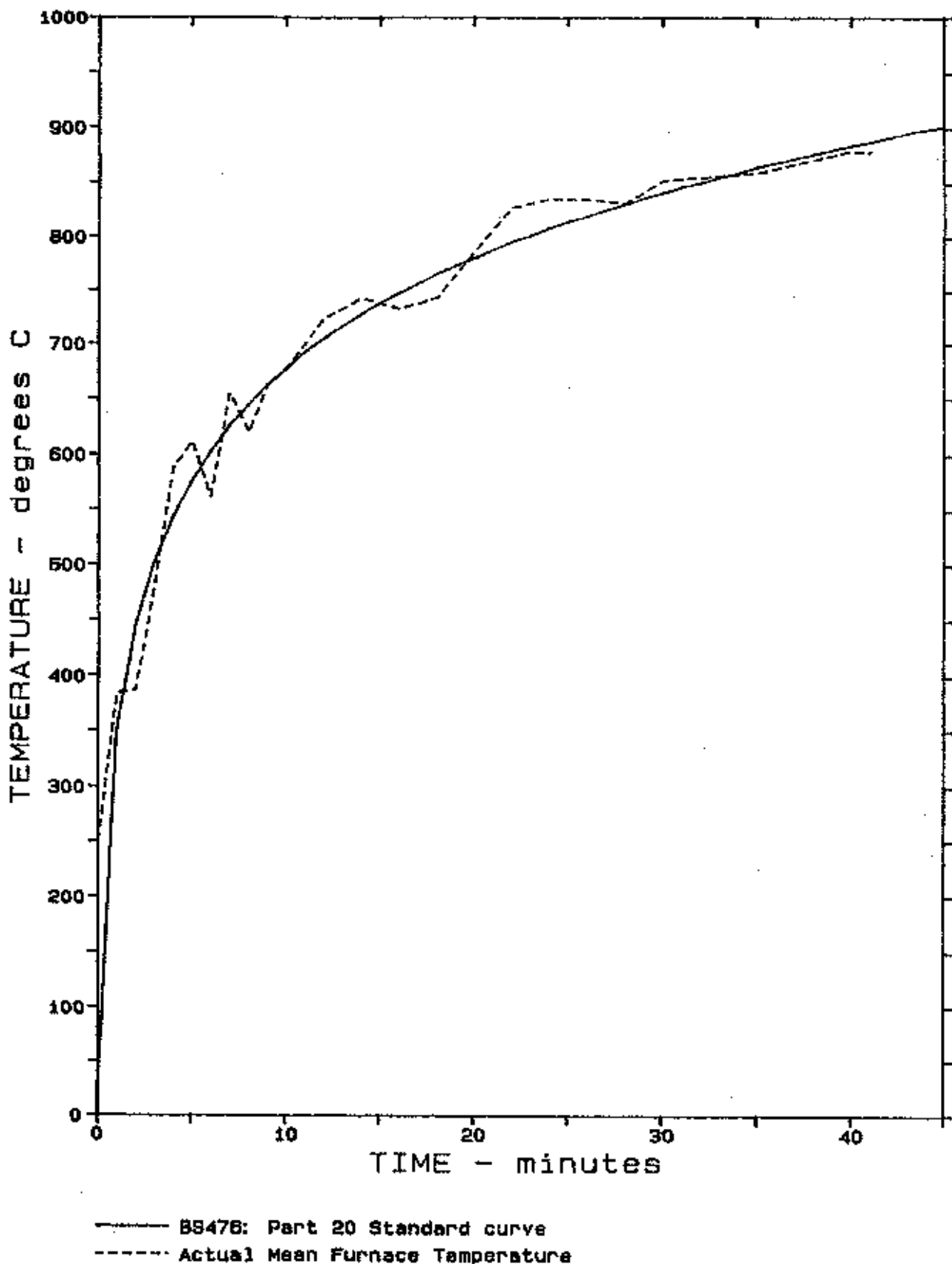


TABLE 1

Variation between specified and actual time temperature curve.

| TIME | B.S.476 FURNACE TEMP. | ACTUAL FURNACE TEMP. | AREA UNDER STANDARD CURVE | AREA UNDER ACTUAL CURVE | PERCENTAGE DIFFERENCE | PERCENTAGE TOLERANCE |
|------|-----------------------------|----------------------------|---------------------------------|-------------------------------|--------------------------|-------------------------|
| mins | Deg C | Deg C | Deg C min | Deg C min | | + or - |
| 0 | 20 | 248 | | | | |
| 1 | 349 | 384 | | | | |
| 2 | 445 | 387 | | | | |
| 3 | 502 | 479 | | | | |
| 4 | 544 | 588 | | | | |
| 5 | 576 | 612 | | | | |
| 6 | 603 | 562 | | | | |
| 7 | 626 | 655 | | | | |
| 8 | 645 | 620 | | | | |
| 9 | 663 | 663 | | | | |
| 10 | 678 | 677 | 5302 | 5413 | 2.1 | 15 |
| 12 | 705 | 724 | | | | |
| 14 | 728 | 743 | | | | |
| 16 | 748 | 733 | | | | |
| 18 | 766 | 744 | | | | |
| 20 | 781 | 787 | | | | |
| 22 | 796 | 828 | | | | |
| 24 | 809 | 836 | | | | |
| 26 | 820 | 836 | | | | |
| 28 | 831 | 832 | | | | |
| 30 | 842 | 853 | 15488 | 15656 | 1.1 | 10 |
| 35 | 865 | 860 | | | | |
| 40 | 885 | 880 | | | | |
| 41 | 888 | 879 | 9529 | 9512 | -0.2 | 5 |

SURFACE THERMOCOUPLE TEMPERATURE/TIME CURVES

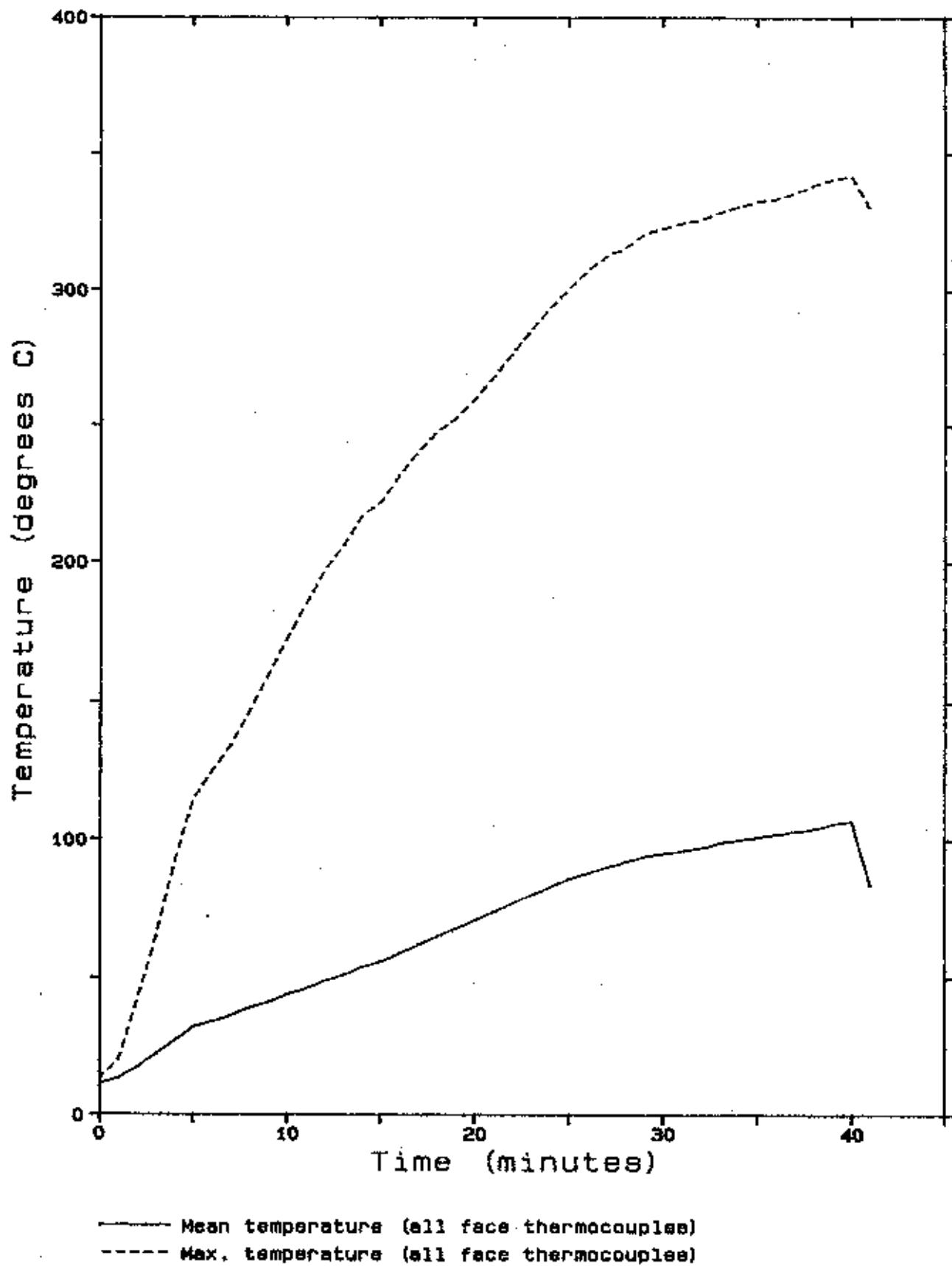


FIGURE 4

TABLE 2

J89349A

| TIME | CHAN 31 | CHAN 32 | CHAN 33 | CHAN 34 | CHAN 35 |
|-------|---------|---------|---------|---------|---------|
| 0.00 | 13 | 10 | 10 | 12 | 11 |
| 1.00 | 13 | 10 | 20 | 11 | 11 |
| 2.00 | 13 | 10 | 42 | 11 | 11 |
| 3.00 | 13 | 10 | 65 | 11 | 11 |
| 4.00 | 13 | 10 | 92 | 11 | 11 |
| 5.00 | 13 | 10 | 115 | 11 | 11 |
| 6.00 | 13 | 10 | 125 | 11 | 11 |
| 7.00 | 13 | 10 | 134 | 12 | 11 |
| 8.00 | 13 | 10 | 147 | 12 | 11 |
| 9.00 | 13 | 10 | 160 | 12 | 11 |
| 10.00 | 13 | 10 | 173 | 12 | 12 |
| 11.00 | 13 | 11 | 185 | 12 | 11 |
| 12.00 | 14 | 11 | 197 | 12 | 11 |
| 13.00 | 14 | 11 | 206 | 13 | 11 |
| 14.00 | 14 | 11 | 217 | 16 | 11 |
| 15.00 | 15 | 11 | 222 | 18 | 12 |
| 16.00 | 17 | 11 | 232 | 21 | 12 |
| 17.00 | 19 | 12 | 241 | 23 | 13 |
| 18.00 | 22 | 13 | 248 | 26 | 16 |
| 19.00 | 25 | 14 | 253 | 28 | 18 |
| 20.00 | 27 | 16 | 260 | 30 | 21 |
| 21.00 | 29 | 18 | 268 | 32 | 23 |
| 22.00 | 31 | 21 | 277 | 33 | 25 |
| 23.00 | 32 | 22 | 286 | 35 | 26 |
| 24.00 | 34 | 25 | 294 | 36 | 27 |
| 25.00 | 36 | 26 | 301 | 38 | 29 |
| 26.00 | 37 | 28 | 308 | 39 | 30 |
| 27.00 | 38 | 29 | 313 | 40 | 32 |
| 28.00 | 39 | 30 | 316 | 41 | 32 |
| 29.00 | 41 | 32 | 321 | 42 | 34 |
| 30.00 | 41 | 33 | 323 | 43 | 35 |
| 31.00 | 42 | 34 | 325 | 44 | 36 |
| 32.00 | 43 | 35 | 326 | 45 | 37 |
| 33.00 | 44 | 37 | 329 | 46 | 38 |
| 34.00 | 45 | 38 | 331 | 47 | 40 |
| 35.00 | 46 | 39 | 333 | 48 | 41 |
| 36.00 | 46 | 39 | 334 | 48 | 41 |
| 37.00 | 47 | 40 | 336 | 49 | 42 |
| 38.00 | 48 | 41 | 339 | 50 | 44 |
| 39.00 | 49 | 43 | 341 | 51 | 44 |
| 40.00 | 51 | 43 | 342 | 54 | 46 |
| 41.00 | 23 | 21 | 330 | 31 | 17 |

Surface thermocouple temperatures